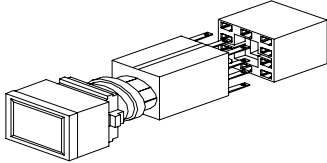
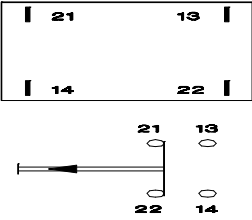
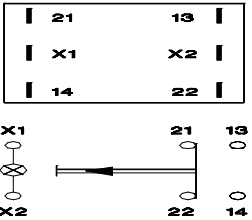
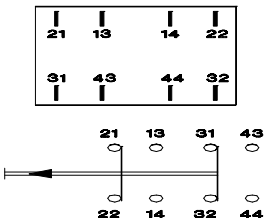
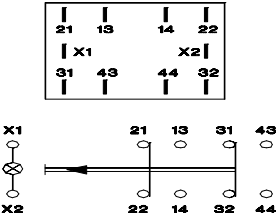
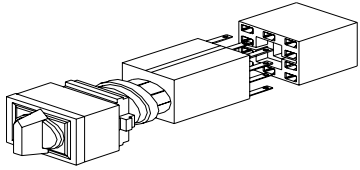
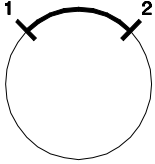
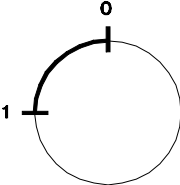
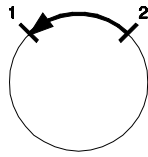
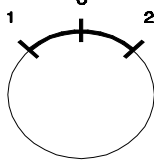
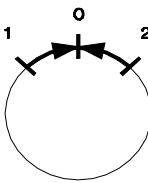
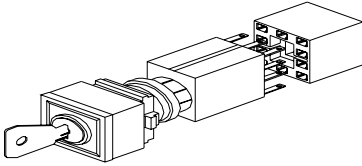

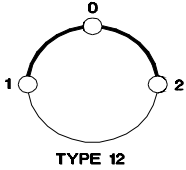
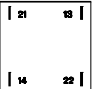
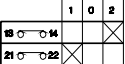
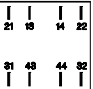
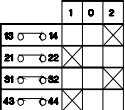
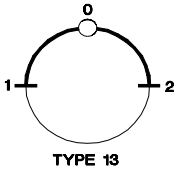
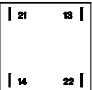
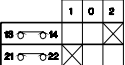
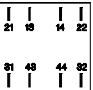
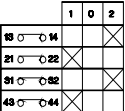
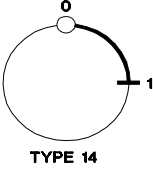
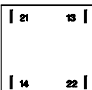
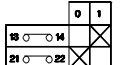
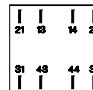
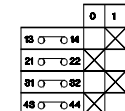
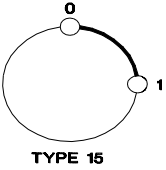
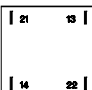
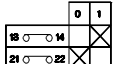
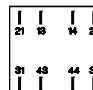
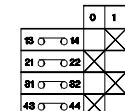
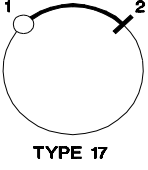
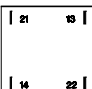
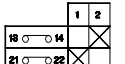
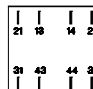
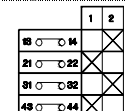
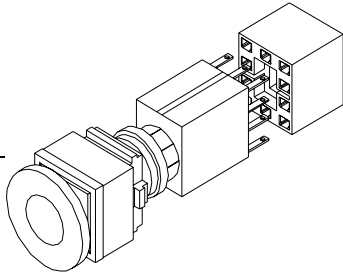
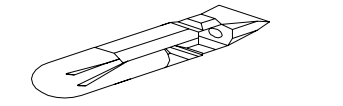
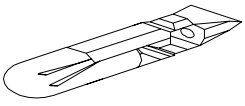
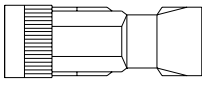
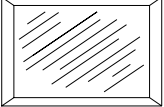
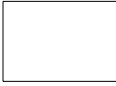





Mosaic System SM24		Control Switches		
Figure	Part No.	Description	Weight (g)	
Push Buttons				
	<p>Push buttons come complete with actuator, mounting hardware, contact block, socket and lugs. The actuators are supplied in light grey, but are also available in charcoal or black. Illumination of the pushbutton can be done by an incandescent lamp or LED. The contact block have sockets for a mini lamp T5.5K of 22mm max. length. For illumination with incandescent lamps which reflect enough light, a filter is provided to disperse the light evenly on the push-button area. Contact blocks are available as 1N.O./1N.C. or 2N.O./2N.C. self-cleaning contacts.</p>			
Non-illuminated, 1N.O./1N.C.				
	SPM-01N	momentary action	32.0	
	SPL-01N	latched action	32.0	
Illuminated, 1N.O./1N.C.				
	SPM-01L	momentary action with lamp	32.0	
	SPM-01D	momentary action with LED	32.0	
	SPL-01L	latched action with lamp	32.0	
	SPL-01D	latched action with LED	32.0	
Non-illuminated, 2N.O./2N.C.				
	SPM-02N	momentary action	32.0	
	SPL-02N	latched action	32.0	
Illuminated, 2N.O./2N.C.				
	SPM-02L	momentary action with lamp	32.0	
	SPM-02D	momentary action with LED	32.0	
	SPL-02L	latched action with lamp	32.0	
	SPL-02D	latched action with LED	32.0	

Mosaic System SM24		Control Switches																																											
Figure	Part No.	Description	Weight (g)																																										
Selector Switches																																													
	<p>Selector switches come complete with actuator, mounting hardware, contact block, socket and lugs. The actuators are supplied in light grey, but are also available in charcoal or black. Contact blocks are available as 1N.O./1N.C. or 2N.O./2N.C. self-cleaning contacts. Two and three position actuators are available with 45 and 90 degree switching angles.</p> <p style="text-align: center;"> Switching position ↙ Spring return </p>																																												
	<p>Selector Switch, 2-positions, 90 degree switching angle, maintained</p> <p>SSW-2-90-01-(1)1N.O./1N.C. 37.0</p> <p>SSW-2-90-02-(1)2N.O./2N.C. 37.0</p>																																												
	<table border="1" style="display: inline-table; margin-right: 10px;"> <tr><td>21</td><td>13</td></tr><tr><td>14</td><td>22</td></tr></table> <table border="1" style="display: inline-table; margin-right: 10px;"> <tr><td>13</td><td>14</td></tr><tr><td>21</td><td>22</td></tr></table> <table border="1" style="display: inline-table; margin-right: 10px;"> <tr><td>1</td><td>2</td></tr><tr><td>13</td><td>14</td></tr><tr><td>21</td><td>22</td></tr></table> <table border="1" style="display: inline-table; margin-right: 10px;"> <tr><td>21</td><td>13</td><td>14</td><td>22</td></tr><tr><td>13</td><td>14</td><td>21</td><td>22</td></tr><tr><td>31</td><td>43</td><td>44</td><td>32</td></tr></table> <table border="1" style="display: inline-table;"> <tr><td>1</td><td>2</td></tr><tr><td>13</td><td>14</td></tr><tr><td>21</td><td>22</td></tr><tr><td>31</td><td>32</td></tr><tr><td>43</td><td>44</td></tr></table>	21	13	14	22	13	14	21	22	1	2	13	14	21	22	21	13	14	22	13	14	21	22	31	43	44	32	1	2	13	14	21	22	31	32	43	44								
21	13																																												
14	22																																												
13	14																																												
21	22																																												
1	2																																												
13	14																																												
21	22																																												
21	13	14	22																																										
13	14	21	22																																										
31	43	44	32																																										
1	2																																												
13	14																																												
21	22																																												
31	32																																												
43	44																																												
	<p>Selector Switch, 2-positions, 90 degree switching angle, maintained</p> <p>SSW-2-90-01-(0)1N.O./1N.C. 37.0</p> <p>SSW-2-90-02-(0)2N.O./2N.C. 37.0</p>																																												
	<table border="1" style="display: inline-table; margin-right: 10px;"> <tr><td>21</td><td>13</td></tr><tr><td>14</td><td>22</td></tr></table> <table border="1" style="display: inline-table; margin-right: 10px;"> <tr><td>0</td><td>1</td></tr><tr><td>13</td><td>14</td></tr><tr><td>21</td><td>22</td></tr></table> <table border="1" style="display: inline-table; margin-right: 10px;"> <tr><td>21</td><td>13</td><td>14</td><td>22</td></tr><tr><td>13</td><td>14</td><td>21</td><td>22</td></tr><tr><td>31</td><td>43</td><td>44</td><td>32</td></tr></table> <table border="1" style="display: inline-table;"> <tr><td>0</td><td>1</td></tr><tr><td>13</td><td>14</td></tr><tr><td>21</td><td>22</td></tr><tr><td>31</td><td>32</td></tr><tr><td>43</td><td>44</td></tr></table>	21	13	14	22	0	1	13	14	21	22	21	13	14	22	13	14	21	22	31	43	44	32	0	1	13	14	21	22	31	32	43	44												
21	13																																												
14	22																																												
0	1																																												
13	14																																												
21	22																																												
21	13	14	22																																										
13	14	21	22																																										
31	43	44	32																																										
0	1																																												
13	14																																												
21	22																																												
31	32																																												
43	44																																												
	<p>Selector Switch, 2-positions, 90 degree switching angle, spring return pos. 2</p> <p>SSW-2-90-01-(1)1N.O./1N.C. 37.0</p> <p>SSW-2-90-02-(1)2N.O./2N.C. 37.0</p>																																												
	<table border="1" style="display: inline-table; margin-right: 10px;"> <tr><td>21</td><td>13</td></tr><tr><td>14</td><td>22</td></tr></table> <table border="1" style="display: inline-table; margin-right: 10px;"> <tr><td>1</td><td>2</td></tr><tr><td>13</td><td>14</td></tr><tr><td>21</td><td>22</td></tr></table> <table border="1" style="display: inline-table; margin-right: 10px;"> <tr><td>21</td><td>13</td><td>14</td><td>22</td></tr><tr><td>13</td><td>14</td><td>21</td><td>22</td></tr><tr><td>31</td><td>43</td><td>44</td><td>32</td></tr></table> <table border="1" style="display: inline-table;"> <tr><td>1</td><td>2</td></tr><tr><td>13</td><td>14</td></tr><tr><td>21</td><td>22</td></tr><tr><td>31</td><td>32</td></tr><tr><td>43</td><td>44</td></tr></table>	21	13	14	22	1	2	13	14	21	22	21	13	14	22	13	14	21	22	31	43	44	32	1	2	13	14	21	22	31	32	43	44												
21	13																																												
14	22																																												
1	2																																												
13	14																																												
21	22																																												
21	13	14	22																																										
13	14	21	22																																										
31	43	44	32																																										
1	2																																												
13	14																																												
21	22																																												
31	32																																												
43	44																																												
	<p>Selector Switch, 3-positions, 45 degree switching angle, maintained</p> <p>SSW-3-45-01-(1)1N.O./1N.C. 37.0</p> <p>SSW-3-45-02-(1)2N.O./2N.C. 37.0</p>																																												
	<table border="1" style="display: inline-table; margin-right: 10px;"> <tr><td>21</td><td>13</td></tr><tr><td>14</td><td>22</td></tr></table> <table border="1" style="display: inline-table; margin-right: 10px;"> <tr><td>1</td><td>0</td><td>2</td></tr><tr><td>13</td><td>14</td><td>21</td><td>22</td></tr><tr><td>21</td><td>22</td><td>31</td><td>32</td></tr></table> <table border="1" style="display: inline-table; margin-right: 10px;"> <tr><td>21</td><td>13</td><td>14</td><td>22</td></tr><tr><td>13</td><td>14</td><td>21</td><td>22</td></tr><tr><td>31</td><td>43</td><td>44</td><td>32</td></tr></table> <table border="1" style="display: inline-table;"> <tr><td>1</td><td>0</td><td>2</td></tr><tr><td>13</td><td>14</td><td>21</td><td>22</td></tr><tr><td>21</td><td>22</td><td>31</td><td>32</td></tr><tr><td>43</td><td>44</td><td>31</td><td>32</td></tr></table>	21	13	14	22	1	0	2	13	14	21	22	21	22	31	32	21	13	14	22	13	14	21	22	31	43	44	32	1	0	2	13	14	21	22	21	22	31	32	43	44	31	32		
21	13																																												
14	22																																												
1	0	2																																											
13	14	21	22																																										
21	22	31	32																																										
21	13	14	22																																										
13	14	21	22																																										
31	43	44	32																																										
1	0	2																																											
13	14	21	22																																										
21	22	31	32																																										
43	44	31	32																																										
	<p>Selector Switch, 3-positions, 45 degree switching angle, spring return pos. 1 and 2</p> <p>SSW-3-45-01-(1)1N.O./1N.C. 37.0</p> <p>SSW-3-45-02-(1)2N.O./2N.C. 37.0</p>																																												
	<table border="1" style="display: inline-table; margin-right: 10px;"> <tr><td>21</td><td>13</td></tr><tr><td>14</td><td>22</td></tr></table> <table border="1" style="display: inline-table; margin-right: 10px;"> <tr><td>1</td><td>0</td><td>2</td></tr><tr><td>13</td><td>14</td><td>21</td><td>22</td></tr><tr><td>21</td><td>22</td><td>31</td><td>32</td></tr></table> <table border="1" style="display: inline-table; margin-right: 10px;"> <tr><td>21</td><td>13</td><td>14</td><td>22</td></tr><tr><td>13</td><td>14</td><td>21</td><td>22</td></tr><tr><td>31</td><td>43</td><td>44</td><td>32</td></tr></table> <table border="1" style="display: inline-table;"> <tr><td>1</td><td>0</td><td>2</td></tr><tr><td>13</td><td>14</td><td>21</td><td>22</td></tr><tr><td>21</td><td>22</td><td>31</td><td>32</td></tr><tr><td>43</td><td>44</td><td>31</td><td>32</td></tr></table>	21	13	14	22	1	0	2	13	14	21	22	21	22	31	32	21	13	14	22	13	14	21	22	31	43	44	32	1	0	2	13	14	21	22	21	22	31	32	43	44	31	32		
21	13																																												
14	22																																												
1	0	2																																											
13	14	21	22																																										
21	22	31	32																																										
21	13	14	22																																										
13	14	21	22																																										
31	43	44	32																																										
1	0	2																																											
13	14	21	22																																										
21	22	31	32																																										
43	44	31	32																																										

Mosaic System SM24		Control Switches		
Figure	Part No.	Description	Weight (g)	
Key Switches				
	<p>Key switches come complete with key, actuator, mounting hardware, contact block, socket and lugs. The actuators are supplied in light grey, but are also available in charcoal or black. Contact blocks are available as 1N.O./1N.C. or 2N.O./2N.C. self-cleaning contacts. Two and three position actuators are available with 45 and 90 degree switching angles.</p> <p>  </p>			
	<p>Key Switch, 3-positions, 90 degree switching angle, maintained, key removes in 0,1,2</p> <p>SKS-3-90-01-(R)1N.O./1N.C. 37,0</p> <p>SKS-3-90-02-(R)2N.O./2N.C. 37,0</p>			
				
	<p>Key Switch, 3-positions, 90 degree switching angle, maintained, key removes in pos. 0</p> <p>SKS-3-90-01-(1)1N.O./1N.C. 37,0</p> <p>SKS-3-90-02-(1)2N.O./2N.C. 37,0</p>			
				
	<p>Key Switch, 2-positions, 90 degree switching angle, maintained, key removes in pos. 0</p> <p>SKS-2-90-01-(R)1N.O./1N.C. 37,0</p> <p>SKS-2-90-02-(R)2N.O./2N.C. 37,0</p>			
				
	<p>Key Switch, 2-positions, 90 degree switching angle, maintained, key removes in pos. 0 & 1</p> <p>SKS-2-90-01-(R)1N.O./1N.C. 37,0</p> <p>SKS-2-90-02-(R)2N.O./2N.C. 37,0</p>			
				
	<p>Key Switch, 2-positions, 90 degree switching angle, maintained, key removes in pos. 1</p> <p>SKS-2-90-01-(R)1N.O./1N.C. 37,0</p> <p>SKS-2-90-02-(R)2N.O./2N.C. 37,0</p>			
				

Mosaic System SM24		Control Switches		
Figure	Part No.	Description	Weight (g)	
	Emergency Stop Push Button			
	SEM-01	Momentary 1N.O./1N.C.	36.0	
	SEM-02	Momentary 2N.O./2N.C.	36.0	
	SEL-01	Maintained 1N.O./1N.C.	36.0	
	SEL-02	Maintained 1N.O./1N.C.	36.0	
	Front and Rear Attachments			
	SPF-01	Front Attachment		
	SPF-02	Rear Attachment		
	Teleslide T5.5K Lamps for Push Buttons			
	SPT-I-W-12	white incandescent, 12Vdc	0.5	
	SPT-I-W-24	white incandescent, 24Vdc	0.5	
	Teleslide T5.5K LED for Push Buttons			
	SPT-L-R-24	Red, 24Vdc/12mA	1.0	
	SPT-L-G-24	Green, 24Vdc/12mA	1.0	
	SPT-L-Y-24	Yellow, 24Vdc/12mA	1.0	
	Push Button Lenses			
	SPS-01C	Clear	0.8	
	SPS-01R	Red	0.8	
	SPS-01G	Green	0.8	
	SPS-01Y	Yellow	0.8	
	SPS-01B	Blue	0.8	
	Push Button Internal Screen Legend Filters			
	SLF-01	Translucent	0.4	
	Safe-to-touch Socket			
	STT-01			
	Contact Blocks			
	SCB-01	1N.O./1N.C.		
	SCB-02	2N.O./2N.C.		
	SCB-01L	1N.O./1N.C. with lamp socket		
	SCB-02L	2N.O./2N.C. with lamp socket		
	Terminal Lug			
	STL-01	Accepts up to 16 AWG wire	0.1	
				Isb/feb-12,02