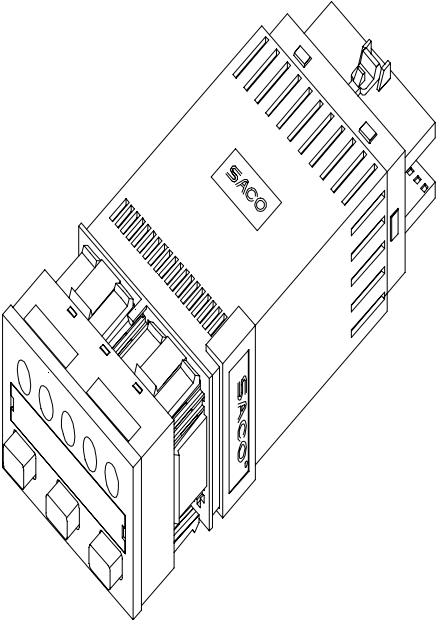
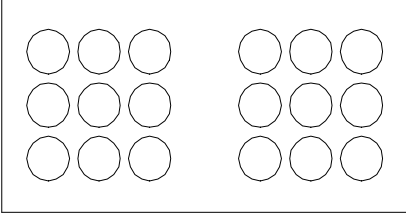
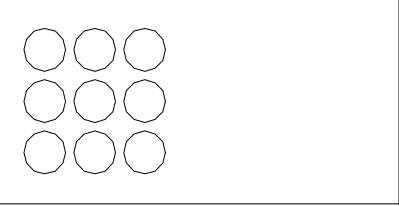
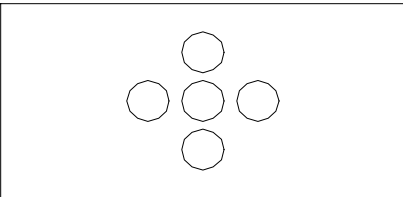

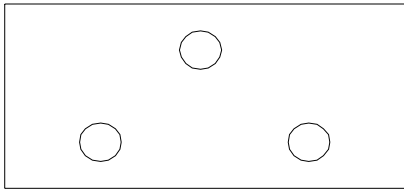
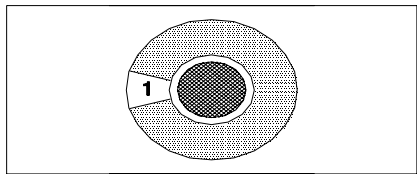
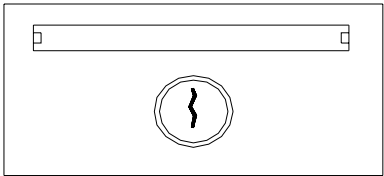
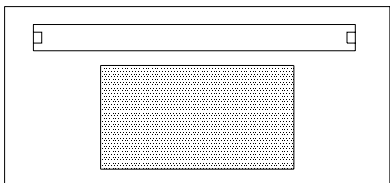
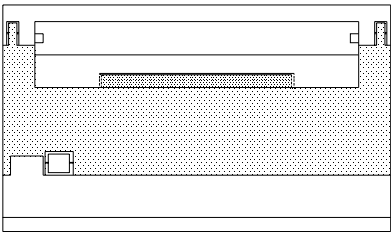
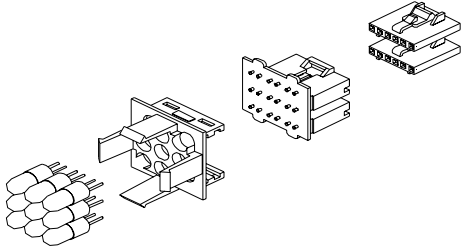
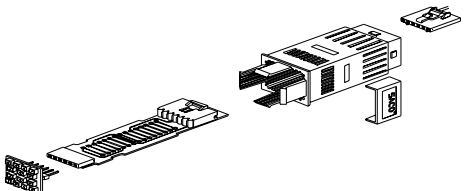
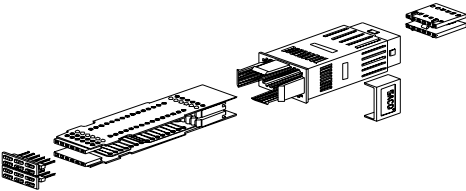
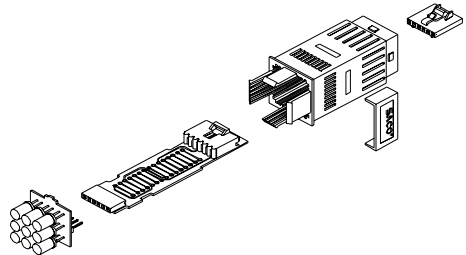
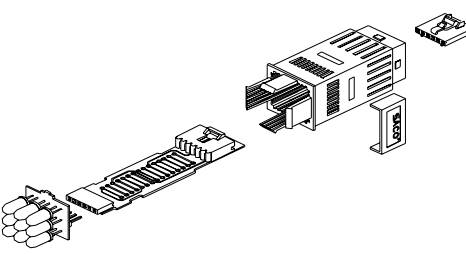
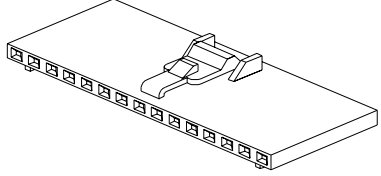
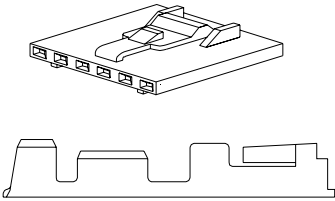
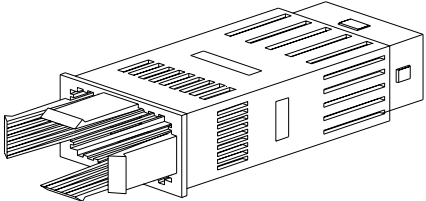
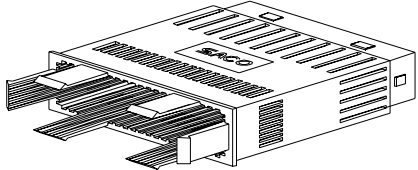
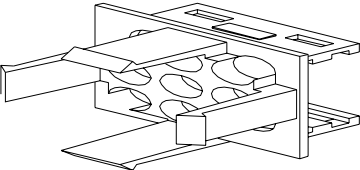
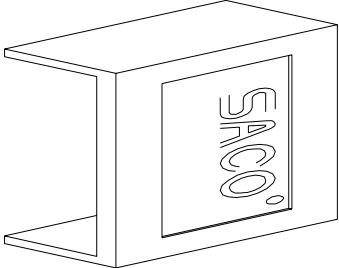


Mosaic System SM24	Functional Tile			
Figure	Part No.	Description	Weight (g)	
	Functional Tile			
	SFT-10	1 LED	30.0	
	SFT-20	2 LED's	30.0	
	SFT-30	3 LED's	30.0	
	SFT-40	4 LED's	30.0	
	SFT-50	5 LED's	30.0	
	SFT-01	1 push button	30.0	
	SFT-02	2 push buttons	30.0	
	SFT-03	3 push buttons	30.0	
	SFT-11	1 LED and 1 push button	30.0	
	SFT-21	2 LED's and 1 push button	30.0	
	SFT-31	3 LED's and 1 push button	30.0	
	SFT-41	4 LED's and 1 push button	30.0	
	SFT-51	5 LED's and 1 push button	30.0	
	SFT-12	1 LED and 2 push buttons	30.0	
	SFT-22	2 LED's and 2 push buttons	30.0	
	SFT-32	3 LED's and 2 push buttons	30.0	
	SFT-42	4 LED's and 2 push buttons	30.0	
	SFT-52	5 LED's and 2 push buttons	30.0	
	SFT-13	1 LED and 3 push buttons	30.0	
	SFT-23	2 LED's and 3 push buttons	30.0	
	SFT-33	3 LED's and 3 push buttons	30.0	
	SFT-43	4 LED's and 3 push buttons	30.0	
	SFT-53	5 LED's and 3 push buttons	30.0	
		Functional Tile with 18 LED's		
SFT-18R		Red LED's	30.0	
SFT-18A		Amber LED's	30.0	
SFT-18G		Green LED's	30.0	
SFT-18Y		Yellow LED's	30.0	
	Functional Tile with 9 LED's			
	SFT-9R	Red LED's	30.0	
	SFT-9A	Amber LED's	30.0	
	SFT-9G	Green LED's	30.0	
	SFT-9Y	Yellow LED's	30.0	
	Functional Tile with 5 LED's			
	SFT-5R	Red LED's	30.0	
	SFT-5A	Amber LED's	30.0	
	SFT-5G	Green LED's	30.0	
	SFT-5Y	Yellow LED's	30.0	

Mosaic System SM24	Functional Tiles			
Figure	Part No.	Description	Weight (g)	
	Functional Tile with 3 LED's			
	SFT-3R	Red LED's		
	SFT-3A	Amber LED's		
	SFT-3G	Green LED's		
	SFT-3Y	Yellow LED's		
	Functional Tile with 2 LED's			
	SFT-2R	Red LED's		
	SFT-2A	Amber LED's		
	SFT-2G	Green LED's		
	SFT-2Y	Yellow LED's		
	Functional Tile with Selector Switch			
	SFT-SS2	2 positions	21.0	
	SFT-SS3	3 positions	21.0	
	SFT-SS6	6 positions	21.0	
	SFT-SS12	12 positions	21.0	
	Functional Tile with Key Switch with Legend Plate			
	SFT-KS2	2 positions	27.0	
	SFT-KS3	3 positions	27.0	
	Functional Tile with Flat Push Button			
	SFT-PBF	Momentary 1N.O./1N.C.	21.0	
	Functional Tile with Emergency Push Button and Lock			
	SFT-EPB	Momentary 1N.O./1N.C.	32.0	

Mosaic System SM24	Indicators			
Figure	Part No.	Description	Weight (g)	
	24 x 24mm Incandescent Indicator			
	SE600-01-24241	color - R/G/A/Y/B/W	13.0	
	SE600-01-24242	2 colors	13.0	
	SE600-01-24243	3 colors	13.0	
	SE600-01-24244	4 colors	13.0	
	SE600-01-24245	5 colors	13.0	
	SE600-01-24246	6 colors	13.0	
	SE600-01-24247	7 colors	13.0	
	SE600-01-24248	8 colors	13.0	
	SE600-01-24249	9 colors	13.0	
	24 x 24mm Uni-Window LED Indicator			
	SE900-01-24241	color - R/G/A/Y	13.0	
	SE900-01-24242	2 colors	13.0	
	SE900-01-24243	3 colors	13.0	
	SE900-01-24244	super blue	13.0	
	SE900-01-24244	true white	13.0	
	24 x 24mm Split-Window LED Indicator			
	SE900-02-2424	Bi-window	13.0	
	SE900-03-2424	Tri-window	13.0	
	24 x 24mm Flat Dot LED Indicator			
	SE900-04-24241	color - R/G/Y/A	13.0	
	SE900-04-24242	2 colors	13.0	
	SE900-04-24243	3 colors	13.0	
	SE900-04-24244	4 colors	13.0	
	SE900-04-24245	5 colors	13.0	
	SE900-04-24247	7 colors	13.0	
	SE900-04-24248	8 colors	13.0	
	24 x 24mm Dome-Shaped LED Indicator			
	SE900-05-24241	color	13.0	
	SE900-05-24242	2 colors	13.0	
	SE900-05-24243	3 colors	13.0	
	SE900-05-24244	4 colors	13.0	
	SE900-05-24245	5 colors	13.0	
	SE900-05-24246	6 colors	13.0	
	SE900-05-24247	7 colors	13.0	
	SE900-05-24248	8 colors	13.0	
SE900-05-24249	9 colors	13.0		
	24 x 48mm Uni-Window LED Indicator			
	SE900-01-2448	24x48mm, 1 color	13.0	
	SE900-01-2448	24x48mm, 2 colors	13.0	
	SE900-01-2448	24x48mm, 3 colors	13.0	

Mosaic System SM24	Indicators			
Figure	Part No.	Description	Weight (g)	Basic Price \$ US
	Mating Connectors and Receptacles			
	SCL-2F	2-way female for ALS-OS		
	SCL-6F	6-pin female, latch-type		
	SCL-15F	15-way female, latch type		
	SCR-01	Receptacle (#22-30 AWG)		
				
	24x24mm Polycarbonate Housing			
	SH-2424-01			
	24x48mm Polycarbonate Housing			
	SH-2448-01			
	24x24mm Housing			
	SHC-01			
	Housing Clip			
	SHC-01			